



7227.0100

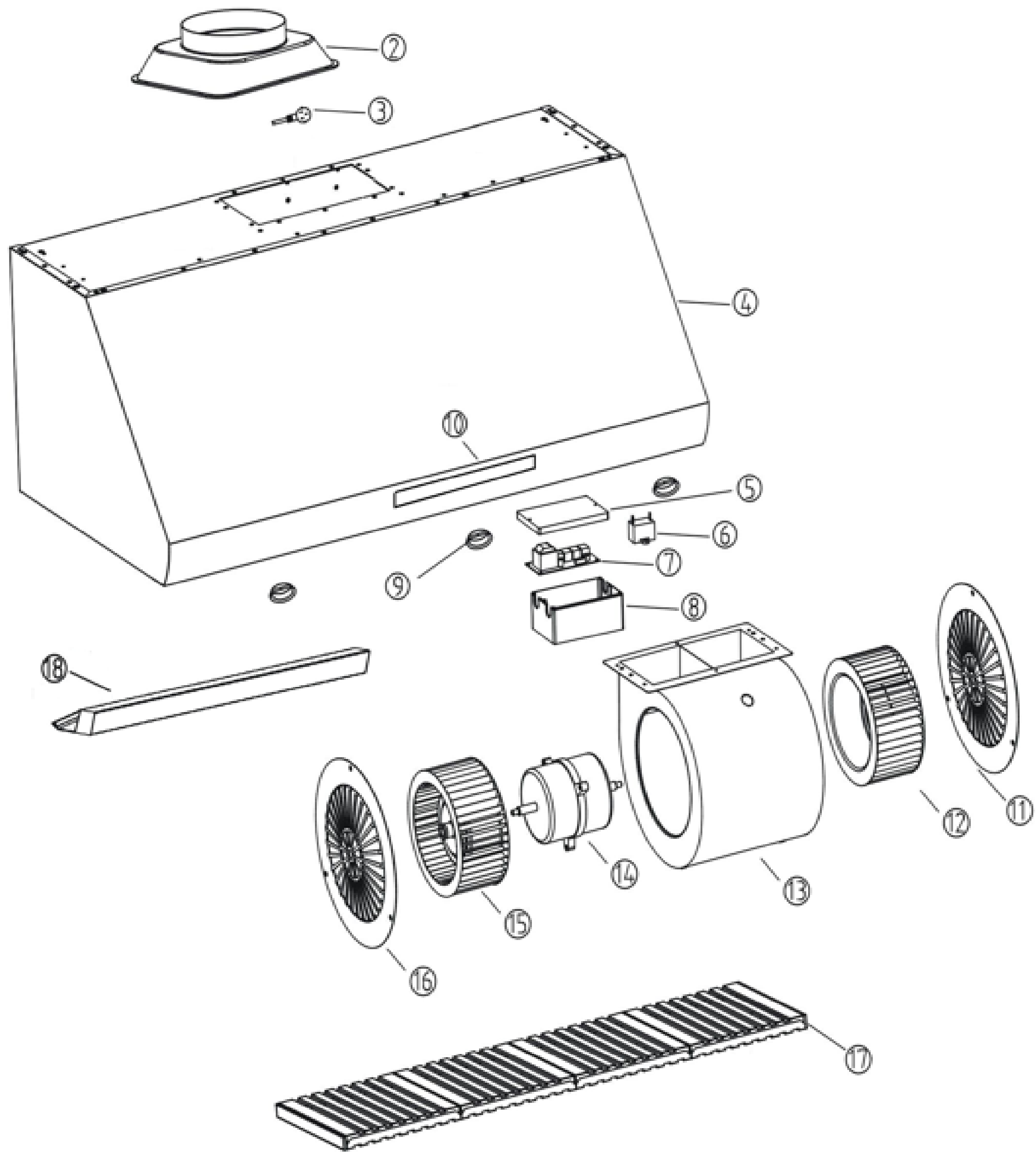
Onderdelen informatie

Erzatzteil information

Spare part information

Information de pièces





Onderdelenlijst 7227.0100

POS:	Art.No.:	Omschrijving:	Aantal:
1	N/A	NVT	2
2	-	8" Duct Connector	2
3	CS9293.0830	Power cord	1
4	-	Stainless Steel Body (Oil channel and baffle filter not included)	1
5	CS9035.0640	Plastic box for the circuit board	1
8			1
6	CS9035.0632	5uf capacaitor	2
7	CS9035.0610	Main Circuit Board for LED Type AP/SV Series 4-Spd (R/S/L) Touch Sensor Control	1
9	CS9035.0635	LED 1W 12V Light Bulb Cold (White) Color	3
10	CS9035.0620	4-Spd R-Type Touch Sensor Elec. Control Panel LED w/Cable	1
11	CS9035.0606	Motor (Steel) 4-Spd 120V/60Hz	2
12			2
13			1
14			1
15			2
16			2
17	CS7227.1020	Baffle Filter Type-III (378*298)	3
18	-	Oil Channel	1
*	CS9035.0608	Remote Conctrole	