

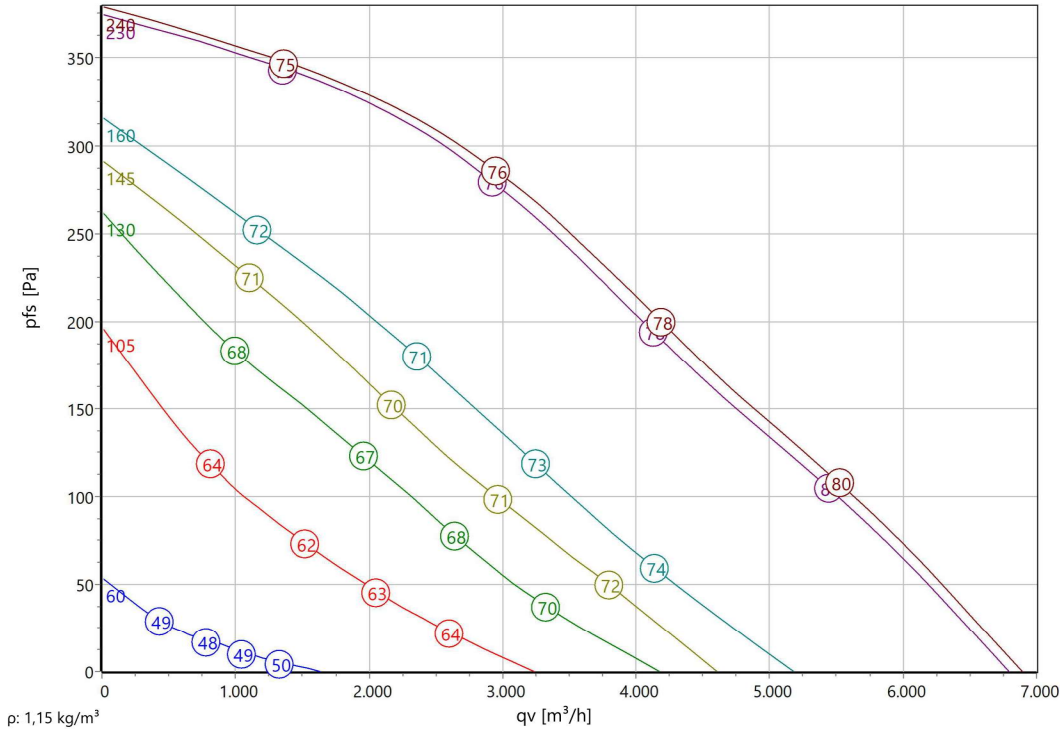


Type: **DHAE 355-4**

Part no.: C31-35500

**NIET ERP GOEDGEKEURD
ALLEEN TER VERVANGING**

Curve:



Nominal Data:

ΔI 5 %

U [V]	f [Hz]	C [μ F]	Pe [kW]	IN [A]	nN [r/min]	tR [°C]	k10 [m ² s/h]	IA / IN	IP	m [kg]
230	50	14	0,69	3,1	1200	-25 .. +70	-	1,8	IP 54	33

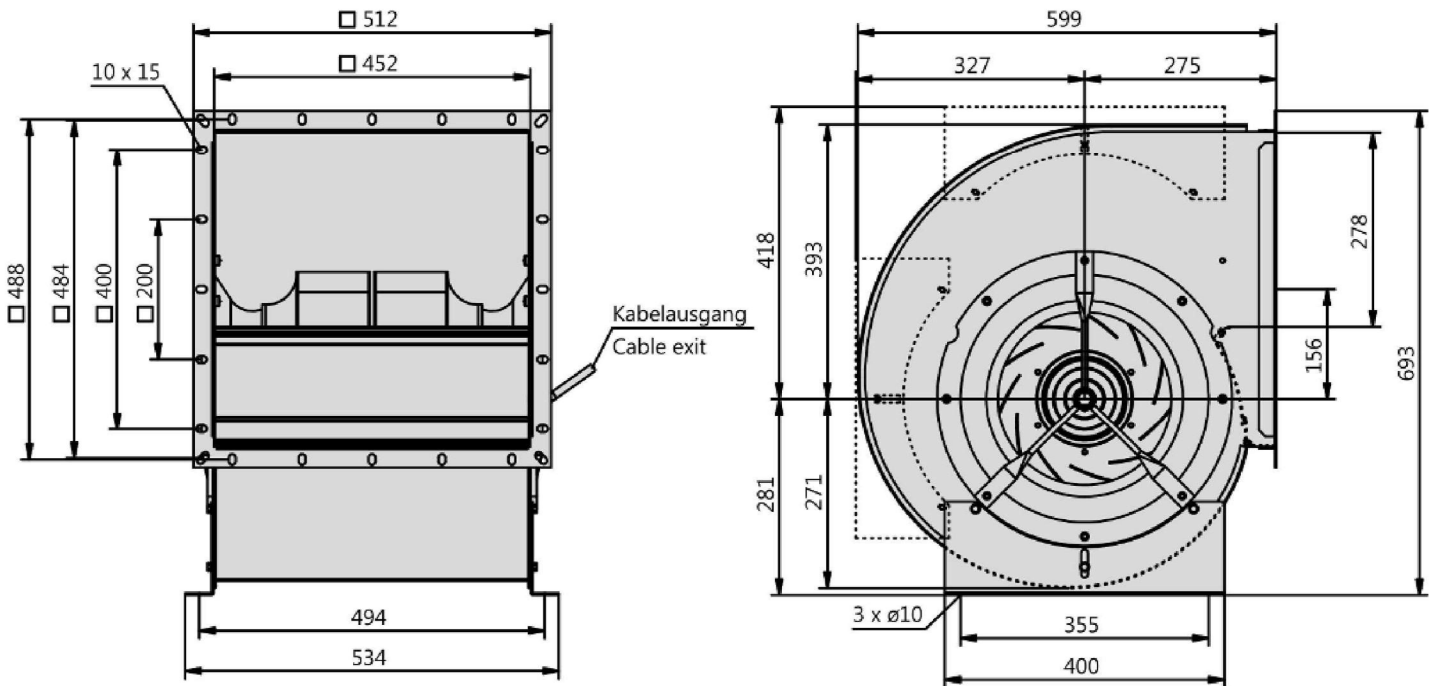
Sound Data:

Frequency	Σ	125Hz	250Hz	500Hz	1kHz	2kHz	4kHz	8kHz	Distances	1 m	5 m
LwA(B,in) [dB(A)]	-6	-26	-13	-11	-12	-13	-23	-30	LpA(B,in) [dB(A)]	-13	-24
LwA(A,out) [dB(A)]		-23	-9	-7	-3	-9	-19	-27	LpA(A,out) [dB(A)]	-7	-18



Type: **DHAE 355-4**

Part no.: C31-35500





Type: **DHAE 355-4**

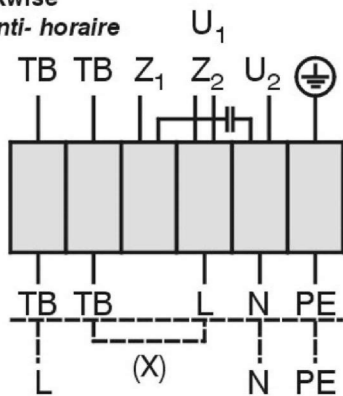
Part no.: C31-35500

Einphasenwechselstrommotor mit Betriebskondensator und Thermostatschalter (TB). Bei Verwendung von RE Steuergeräten TB mit der Wicklung in Reihe schalten. Hierfür Brücke (x) einlegen und gestrichelt gezeichnete Anschlüsse belegen.

Single phase A.C. motor with operating capacitor and therostatic switch (TB). TB wired in series with windings if RE controllers are used. Insert bridge (x) and wire connections shon as dash-line on the drawing.

Moteur monophasé avec condensateur permanent et interrupteur thermostatique (TB) branché en série avec le bobinage en cas de branchement avec des régulateurs RE. Mettre un pont (x) et brancher toutes les connexions dessinées en hachuré.

Linkslauf
anti-clockwise
rotation anti-horaire



U₁ braun / brown / brun
 U₂ blau / blue / bleu
 Z₁ schwarz / black / noir
 Z₂ orange / orange / orange

TB weiß / white / blanc
 PE gelb-grün
 yellow-green
 jaune-vert

01.025

TK3-20003

AC-Centrifugal Fan double inlet

in scroll casing with backward curved impeller

Impeller made of aluminum (AlMg3) with backward curved blades. Fluidic optimized inlet cone made of galvanized sheet metal. Fluidic optimized scroll casing made from galvanised sheet metal. Double inlet. Stands respectively casing mountable in all 90° positions. Motorized Impeller statically and dynamically balanced according to DIN ISO 21940-11 with quality level G2.5. Voltage controllable AC external rotor motor. Maintenance free ball bearings, closed on both sides with long-term lubrication. Motor coated black and/or die casted aluminum. Standard configuration with cable. Motor protection is guaranteed by thermal contacts, which are inlaid into the motor windings. These contacts protect the motor from being overloaded through phase failure, too high medium temperature or locked rotor. Isolation Class F.

Fan complies with the guidelines required (Machinery-, EMC- and Low Voltage Directive) to comply with installation and conformity declaration as well as CE marking. UL approval available on request.

Nominal Data:

Voltage
230 V
Frequency
50 Hz
Input power
0,69 kW
Current
3,1 A
Speed
1200 r/min
Medium temperature
70 °C
Protection Mode
IP 54
Weight
33 kg
Dimensions
599 mm / 512 mm / 693 mm

Contact:

Rosenberg Ventilatoren BV
Elandlaan 8
NL - 3734 CP Den Dolder
www.rosenberg.nl

Type:

DHAE 355-4

Article-No.:

C31-35500